

PadLock provides a low cost, highly secure, single use alternative to conventional Pad-Locks. It has advanced metal locking mechanisms and it meets UK customs requirement.

## APPLICATIONS

- Plastic distribution boxes
- Vehicle doors
- Bonded store doors

## FEATURES

- This range of seal meets UK customs requirement
- Have advanced locking mechanism
- PadLock 1 is manufactured in high grade, clear or tinted SAN resin with a chromed steel hasp
- PadLock 2 is manufactured in high grade polypropylene

## BENEFITS

- PadLock can be used to secure imported/exported goods
- Reduced losses through enhanced security
- Enables visual checks against tampering
- Suitable for more demanding applications

## SPECIFICATIONS

### Type

- **PadLock 1** (Product code: PL01AA)
- **PadLock 2** (Product code: PL02AA)

### Material

PadLock 1 - SAN clear housing, chromed steel hasp

PadLock 2 - Polypropylene opaque housing, chromed steel hasp

### Print

PadLock 1 - Laser printed logo/name & serial no., Inkjet printing on request

PadLock 2 - Hot stamped logo/name & serial no., Laser printing on request

### Colour

6 standard colours - Red, Yellow, Blue, Green, White, Orange  
Other colours can be supplied on request

### Packaging

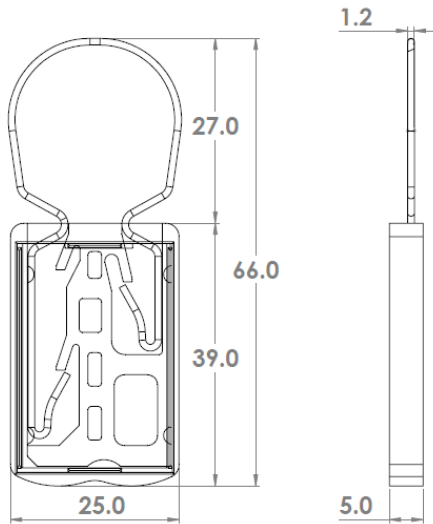
PadLock 1 inner carton 200 sets, outer carton 1000 sets

PadLock 2 inner carton 100 sets, outer carton 1000 sets

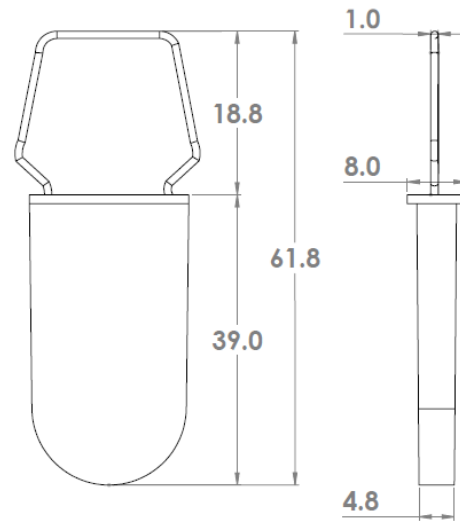


# PadLock

## DIMENSIONS



PadLock 1



PadLock 2



**Contact Us!**

Tel: + 1622 236 303

[sales@serpro.eu](mailto:sales@serpro.eu)  
[www.serpro.co.uk](http://www.serpro.co.uk)